



The UpLift **BIKE DOCK**

THE NEXT STEP IN COMMERCIAL BICYCLE PARKING

A SUSTAINABLE SITES PROJECT

Traditional Models
Of Transportation
Infrastructure Are Outdated

To Meet The Needs
Of A Growing Population
Of Commuters

A “Complete Streets”
Approach To Infrastructure
Must Be Considered





A BETTER EXPERIENCE FOR CYCLISTS
MEANS LESS CONFLICT BETWEEN
RIDERS AND PEDESTRIANS/MOTORISTS

MAKE THE EXPERIENCE BETTER FOR
EVERYONE, AND YOU WILL
HAVE A BETTER COMMUNITY!



A GREAT RACK REWARDS RIDERS!

“We believe it is imperative we reward and encourage ridership through an infrastructure that screams RIDE, and we believe we have built just that”

Chris Luyet
VP OF SALES AND MARKETING

WHY CHOOSE THE UPLIFT?

- › Modular design for any situation
- › Well-defined footprint
- › Intuitive design
- › Designed for universal parking
- › 3 Points of Locking Contact
- › High security locking arms
- › 7 year warranty SealGuard finish
- › Bicycle friendly with no metal to metal contact
- › Designed for maximum density parking
- › Vertically staggered wheel troughs for ease of loading

[CLICK HERE TO WATCH THE UPLIFT VIDEO](#)

UpLift

BIKE DOCK

Universal Parking

Park forward and aft and maintain 3 points of locking contact

The Right Finish

Sustainable Site's SealGuard finish ensures an even and seamless coating which prevents metal to metal contact and carries a 7 year warranty!

Intuitive Locking

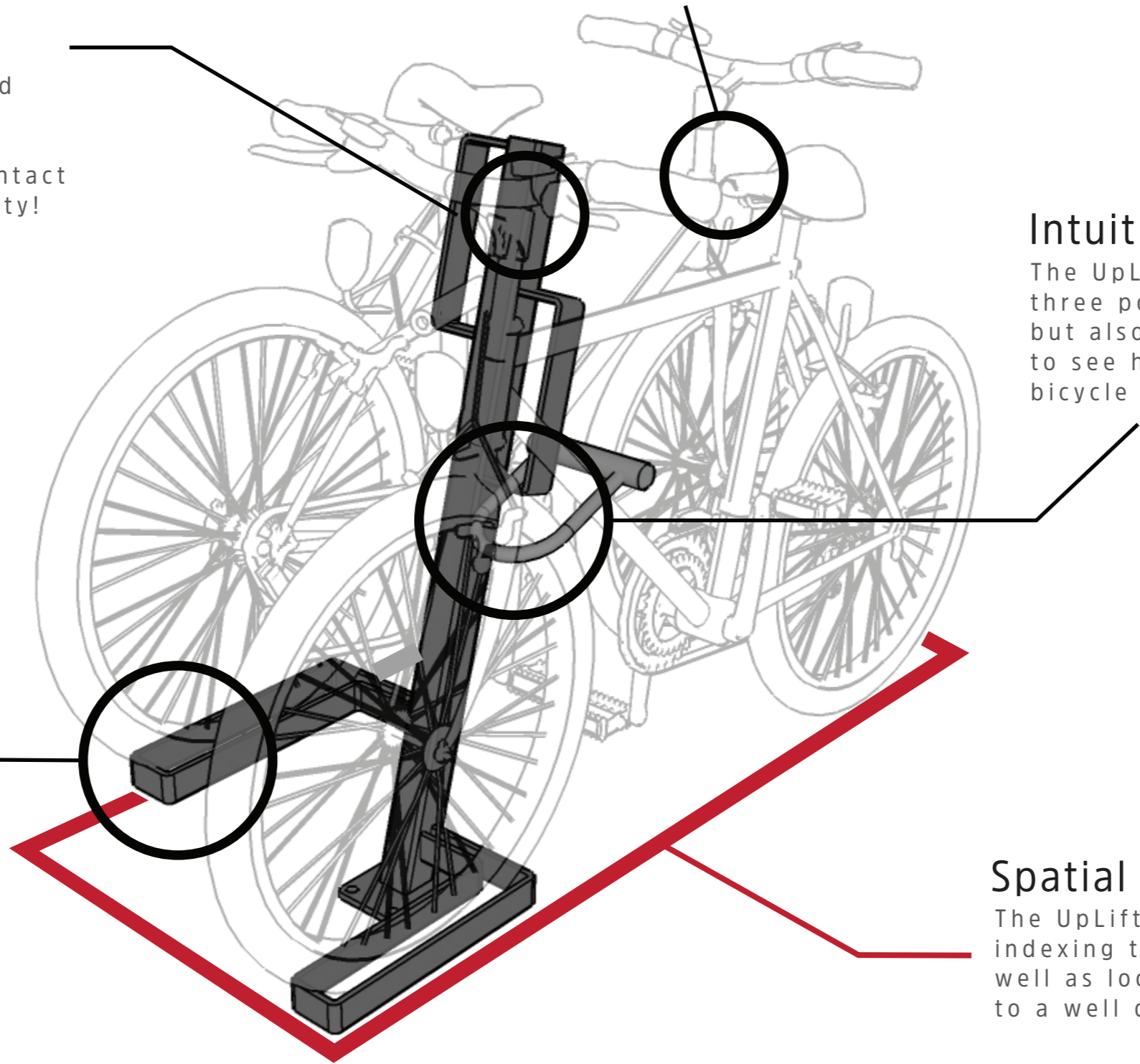
The UpLift's locking arms offer three points of locking contact, but also makes it easier for riders to see how they should lock their bicycle efficiently.

Wheel Troughs

Vertically staggered wheel troughs not only index parked bikes, but also eliminate handlebar conflict and create more space to load bikes.

Spatial Footprint

The UpLift's combination of indexing through wheel troughs as well as locking arms contributes to a well defined spatial footprint



A FAMILIAR BUT VERY UN-WELCOMING SITE

Some of the most popular bicycle racks, like inverted U, wave and grid racks are also the most damaging to bicycles.

Many users are confused about how to best lock their bicycles, and unfortunately chaos ensues. This makes an eyesore for landscape planners and a less secure and more damaging parking area for cyclists.



The UpLift was designed to eliminate these concerns and ensure that cyclists frequent your site more, which leads to less traffic on the streets and as some studies have shown greater revenue for your business!

WHAT YOU WON'T GET WITH THE UPLIFT...



UNDEFINED FOOTPRINT

Bike takes up too much space

The design of the UpLift limits user error by providing a clear way to park a bicycle. This ensures that the area intended for parking will remain that way



DISORGANIZED

Parked in conflicting direction

Racks that are less intuitive can lead to a disorganized parking scenario. Indexing leads to a more controlled footprint and overall better organization in parking areas.



LESS SECURE

It only takes 10 seconds

Some of the most common bike racks are also unfortunately some of the least secure. Some studies by police departments across the country found 10 seconds to be all it takes to steal a bicycle!



DAMAGING

Don't scratch the paint!

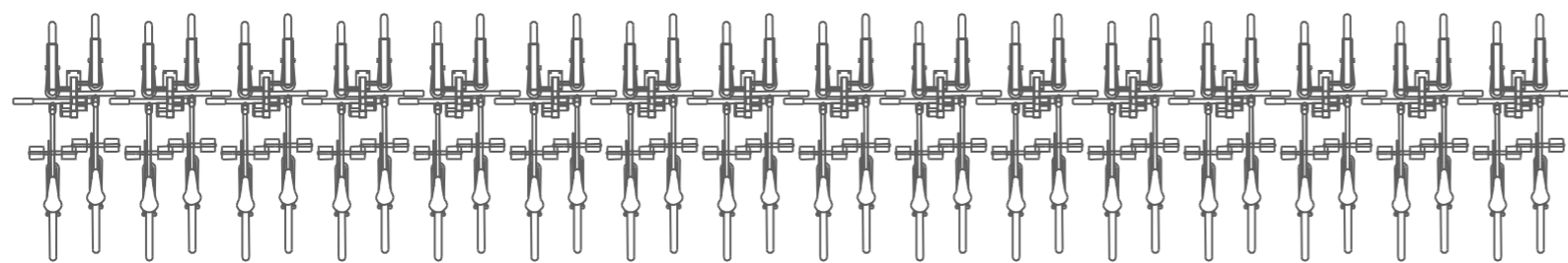
Besides slipping and tipping which can loosen bolts and nuts, some racks cause metal to metal contact which decreases the life of the rack and the bicycle.

SPACE SAVING DESIGN THAT REALLY ADDS UP

In a side by side comparison with our competitors, the UpLift illustrates a clear advantage in planning for bicycle parking and site furnishings. What this means is a site that allows for more freedom for planners and more more space for cyclists and pedestrians to navigate. But don't just take our word for it, take a look at our side by side scale drawing analysis with another popular bicycle dock on the market and decide for yourself!

The UpLift

| 29in | Center to Center of Racks

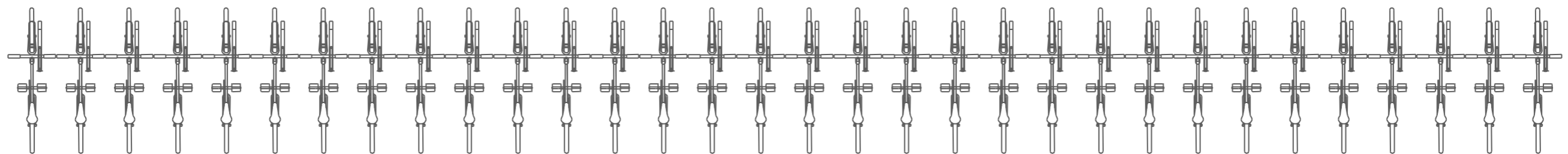


32 bikes loaded (drawing to scale)

25 ft. of extra space saved!

Lightning Rack

| 24in | Center to Center of Racks



SPACE SAVING INNOVATION STAGGERED WHEEL TROUGH

The UpLift is not just a highly intuitive bicycle rack that provides premium parking for two cyclists per rack. It also saves more space than average racks due to the vertically staggered wheel trough which allows bikes to be parked closer to each other on the rack, which decreases the overall spatial footprint of the bicycle rack



A SUSTAINABLE SITES PROJECT



SUPERIOR DESIGN

Sustainable Sites products are designed for the greatest user experience, which includes durability as well as an aesthetically pleasing appearance which ensures customer satisfaction!



UNIFIED FURNISHINGS

A consistent look for your site furnishings makes your landscape look better. Our designs were created with this in mind, to ensure a cohesive and consistent look to your site furnishing plan!



MADE IN THE U.S.A.

We build high quality products right here in the USA. We've supplied site furnishings to schools, municipalities, universities, shopping centers, malls and parks all across the country.



OUR CLIENTS

We have had the opportunity to work with a diverse group of clients in the past such as Lockheed Martin, Google, Yale University, MGM Mirage and The Pittsburgh Pirates



QUICK TURNAROUND

At Sustainable Sites we will take your project from the design and concept stage to having the site furnishings at your site faster than many competitors



EXPERIENCE

The Sustainable Sites team has more than 80 years combined experience in the site furnishings business, and this guarantees we will find the right solution for you!



www.sustainablesites.com

Bike Racks | Bike Repair Stations | Picnic Benches | Trash Receptacles



525 South Flagler Dr, Ste 200 West Palm Beach FL, 33401

Need help? Talk to an expert: 1-800-689-9078 | Sales@sustainablesites.com